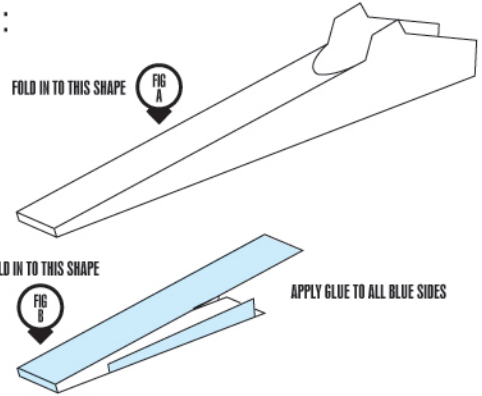


LUCASOIL.com

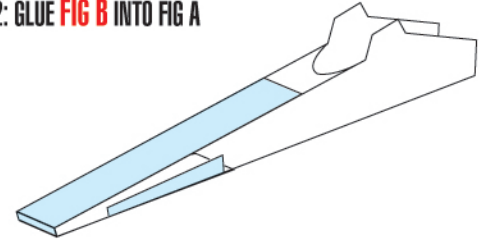
BASIC INSTRUCTIONS PG. 1 of 6

- PRINT OUT
- CUT OUT ALONG SOLID LINES AND THEN FOLD ON DOTTED LINES (XACTO KNIFE WORKS BEST)

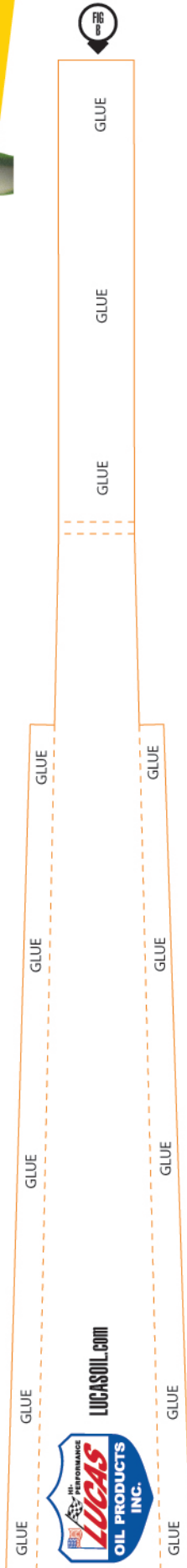
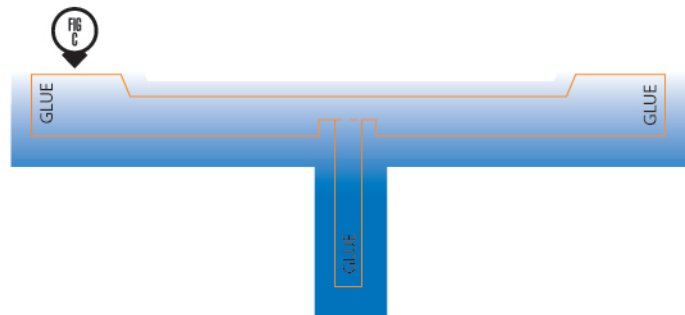
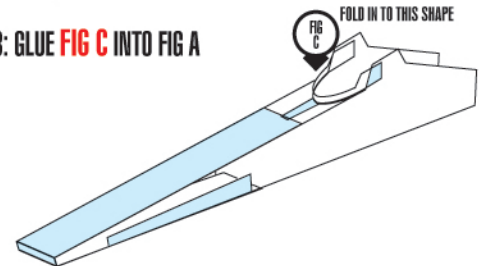
STEP 1:



STEP 2: GLUE FIG B INTO FIG A



STEP 3: GLUE FIG C INTO FIG A



LUCASOIL.COM

BASIC INSTRUCTIONS PG. 2 of 6

- PRINT OUT
- CUT OUT ALONG SOLID LINES AND THEN FOLD ON DOTTED LINES (XACTO KNIFE WORKS BEST)

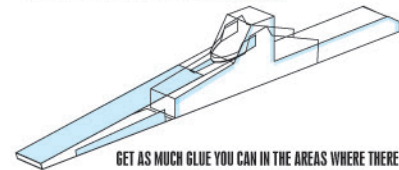
STEP 4: FOLD AND GLUE TABS ON THE INSIDE

FOLD IN TO THIS SHAPE



APPLY GLUE TO ONE OF THE BOTTOM FLAP AND STICK TO THE OPPOSITE FLAP TO CREATE BOTTOM OF PIECE

STEP 5: GLUE FIG D INTO FIG A



GET AS MUCH GLUE YOU CAN IN THE AREAS WHERE THERE IS THE MOST CONTACT BETWEEN BOTH PIECES. MAKE SURE FIG A AND FIG D ARE FLUSH ON THE BOTTOM. FIG D AND FIG B SHOULD COME CLOSE TO TOUCHING ON THE BOTTOM OF THE PIECE.

STEP 6:

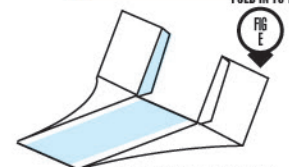
GLUE REVERSE SIDE AND FOLD BACK



WHEN FOLDED TOGETHER GLUE REVERSE SIDE TO STICK TO WHOLE PIECE

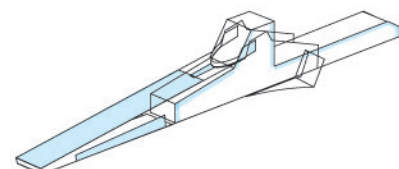
GLUE AND STICK TO BOTTOM OF FULL PIECE

FOLD IN TO THIS SHAPE

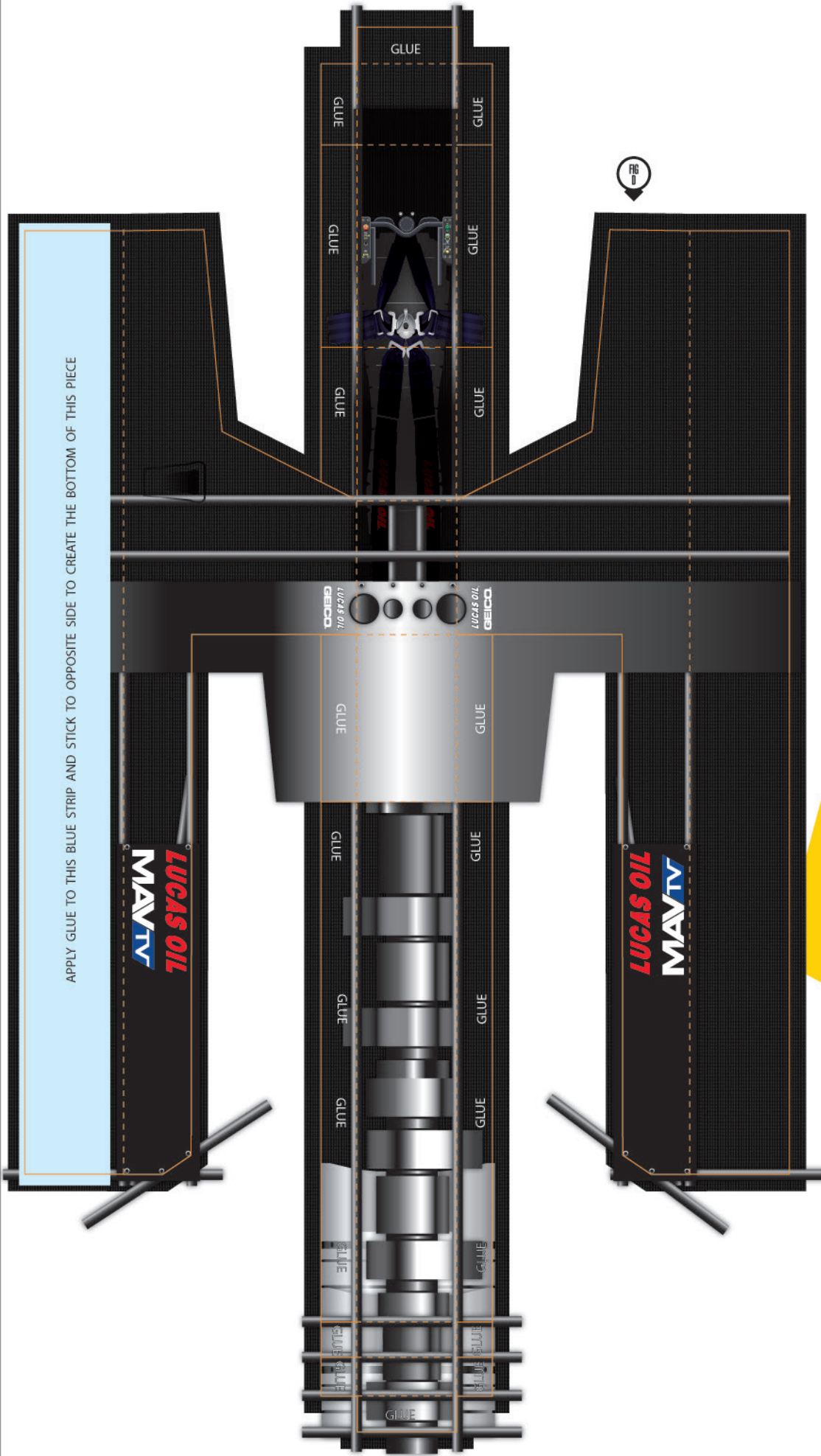


APPLY GLUE TO ALL BLUE AREAS

STEP 7: GLUE FIG E TO ASSEMBLED PARTS



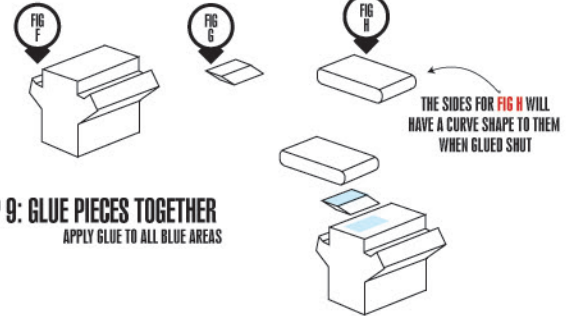
APPLY GLUE TO THIS BLUE STRIP AND STICK TO OPPOSITE SIDE TO CREATE THE BOTTOM OF THIS PIECE



BASIC INSTRUCTIONS PG. 3 of 6

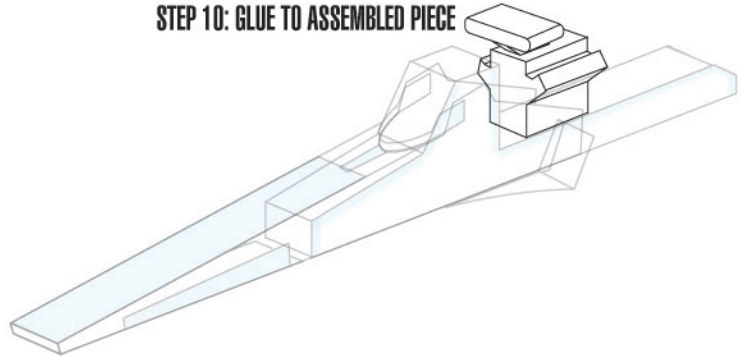
- PRINT OUT
- CUT OUT ALONG SOLID LINES AND THEN FOLD ON DOTTED LINES (XACTO KNIFE WORKS BEST)

STEP 8: FOLD AND GLUE THESE SHAPES

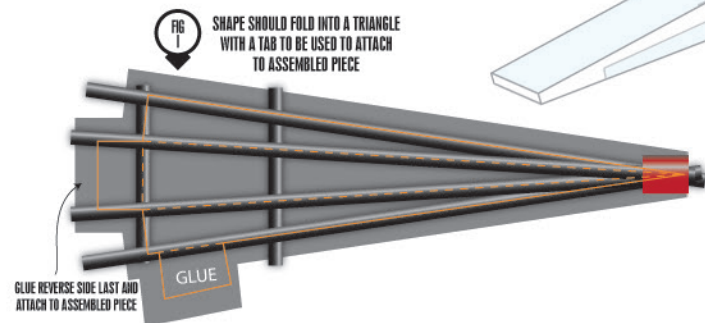
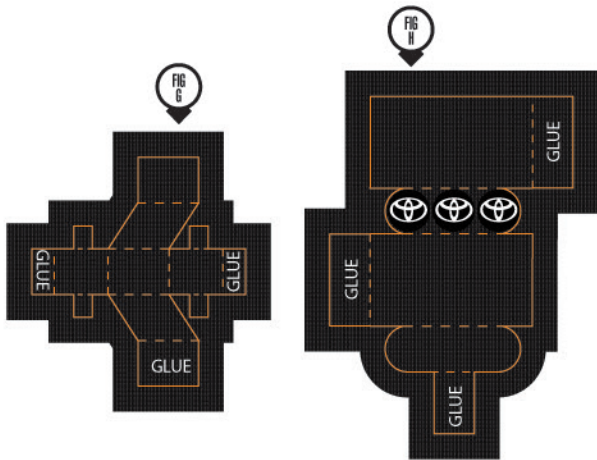
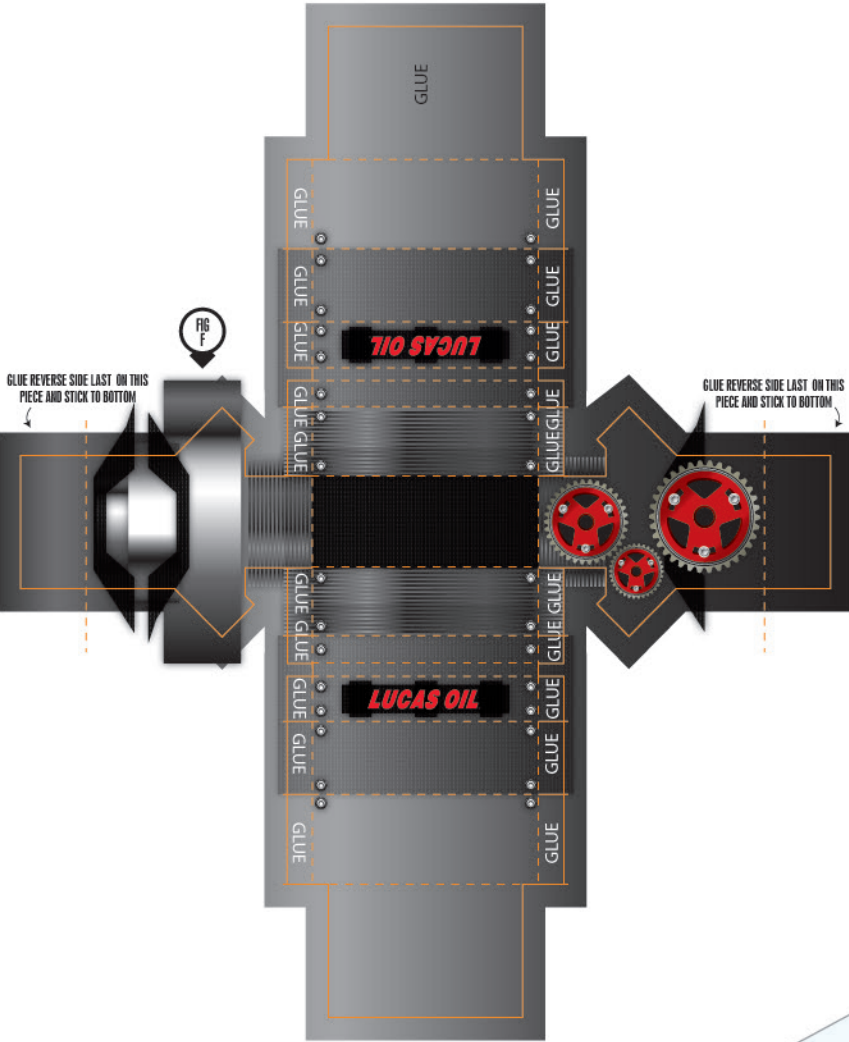
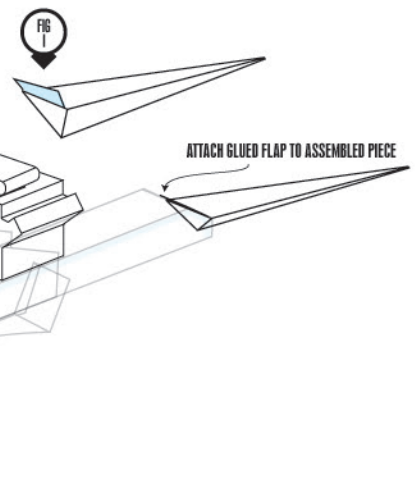


STEP 9: GLUE PIECES TOGETHER APPLY GLUE TO ALL BLUE AREAS

STEP 10: GLUE TO ASSEMBLED PIECE



STEP 11: FOLD AND GLUE TOGETHER AND THEN ATTACH TO ASSEMBLED PIECE





LUCASOIL.com

BASIC INSTRUCTIONS PG. 4 of 6

- PRINT OUT
- CUT OUT ALONG SOLID LINES AND THEN FOLD ON DOTTED LINES (XACTO KNIFE WORKS BEST)

THIS WILL BECOME A TAB THAT WILL SLIDE IN TO A SLOT THAT WILL BE CUT IN TO FIG K

GLUE REVERSE SIDE LAST AND FOLD IN HALF ON DOTTED LINE

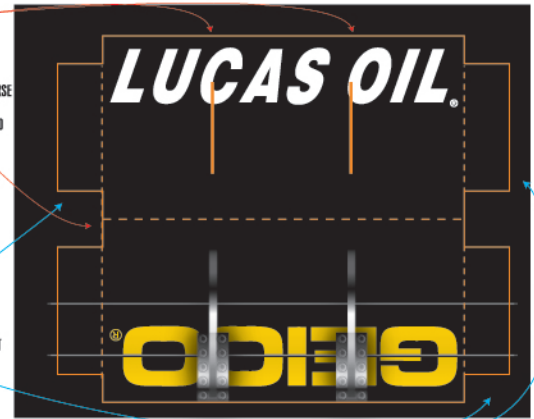
AFTER TABS ARE SLID IN, GLUE ON REVERSE SIDE AND FOLD IN HALF. TABS FROM FIG K WILL BE SANDWICHED IN BETWEEN.

TABS FROM FIG K WILL SLIDE INTO THESE SLOTS ONCE THEY HAVE BEEN CUT



TABS FROM FIG J WILL SLIDE INTO THESE SLOTS ONCE THEY HAVE BEEN CUT

AFTER TABS ARE SLID IN, GLUE ON REVERSE SIDE AND FOLD IN HALF. TABS FROM FIG J WILL BE SANDWICHED IN BETWEEN.



THIS WILL BECOME A TAB THAT WILL SLIDE IN TO A SLOT THAT WILL BE CUT IN TO FIG L

WHEN FOLDED TOGETHER GLUE REVERSE SIDE TO STICK TO WHOLE PIECE



RED MARKS SHOW WHERE TABS WILL BE ONCE THE ARE SANDWICHED IN



STEP 12:



GLUE REVERSE SIDE AND FOLD IN HALF ON DOTTED LINE

THIS WILL BECOME A TAB THAT WILL SLIDE IN TO A SLOT THAT WILL BE CUT IN TO FIG N



TABS FROM FIG N WILL SLIDE INTO THESE SLOTS ONCE THEY HAVE BEEN CUT



AFTER TABS ARE SLID IN, GLUE ON REVERSE SIDE AND FOLD IN HALF. TABS FROM FIG N WILL BE SANDWICHED IN BETWEEN.



BASIC INSTRUCTIONS PG. 5 of 6

- PRINT OUT
- CUT OUT ALONG SOLID LINES AND THEN FOLD ON DOTTED LINES (XACTO KNIFE WORKS BEST)

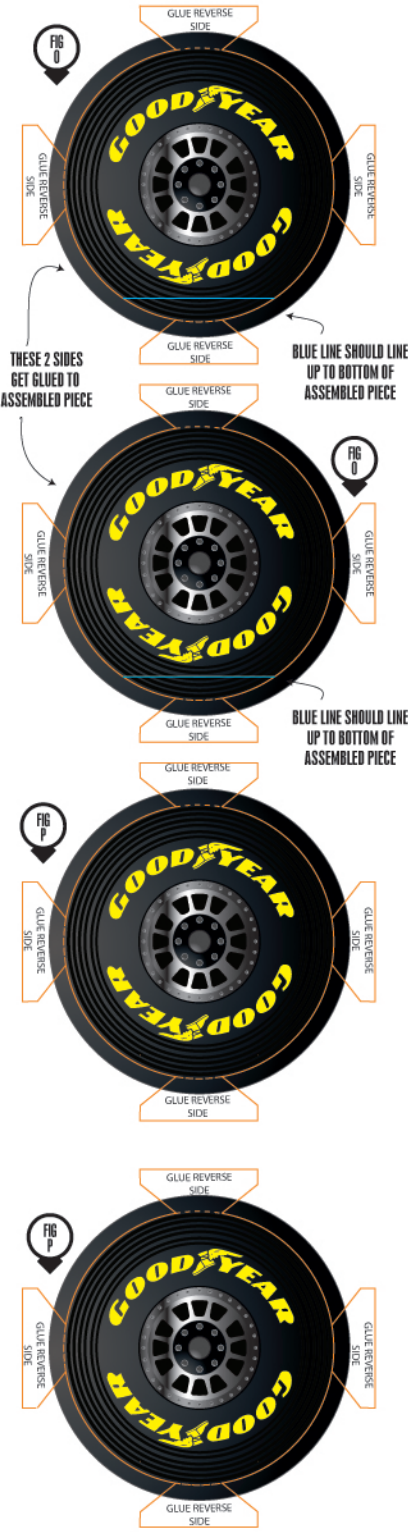
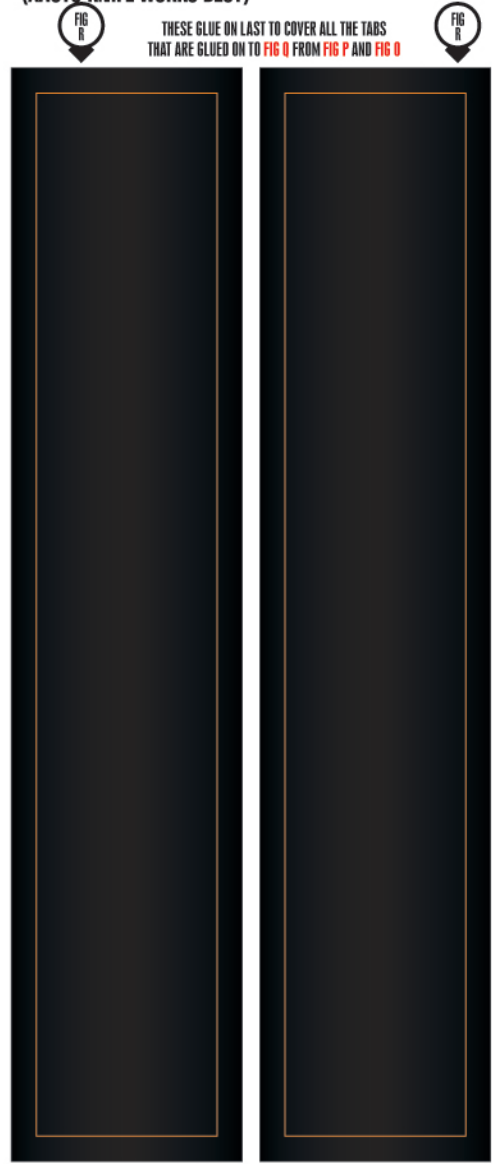
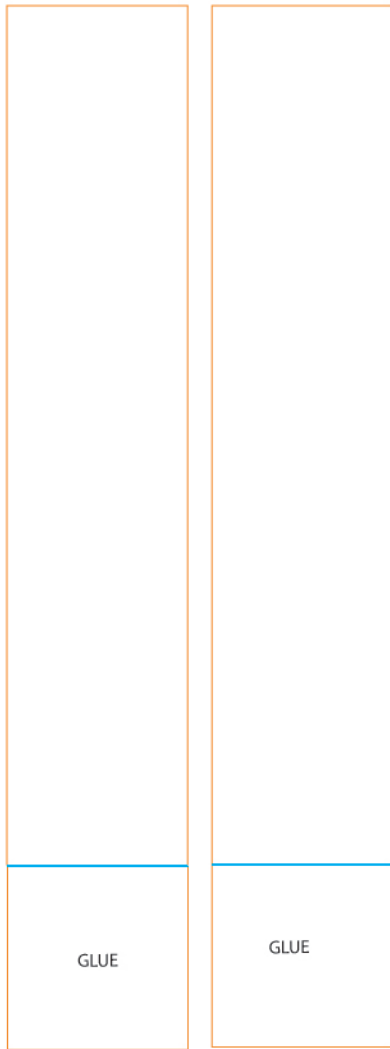


FIG 0 WRAP THIS END AND GLUE THIS SIDE UP TO THE BLUE LINE TO CREATE A CYLINDER

 FIG 0



STEP 13: ASSEMBLE BACK WHEELS

